

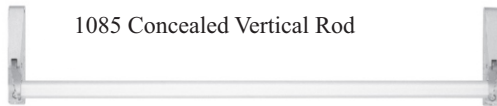
**10 Series** Crossbar Exit Device

Jackson's 10 Series Crossbar Exit Device is universally recognized as the tough and reliable, industry standard. designed for use with narrow, medium and wide stile doors and is available in both a rim and concealed vertical rod version.

Dual Dogging Feature:  
by outside cylinder,  
or by dogging pins  
beneath housing

Materials & Finish —  
Body & Arms: High Strength Aluminum  
Cross Bar: Extruded Aluminum  
Mechanical Components: Stainless & Plated Steel  
Top & Bottom Bolts: Plated Steel

Rim Latch: Sintered Steel  
Strikes: Sintered Steel  
Standard Anodized Finish: Dark Bronze-DBZ 313  
Satin Aluminum-US28/ 628



1085 Concealed Vertical Rod

Requires JA30-821J Cyl. Mounting plate with mort. cyl for keyed entry

1-3/4" narrow, medium, & wide stile aluminum doors independent top and bottom bolt action 1/2" bolt throw trigger action, positive release adjustable bolt guides allows bolt adj. w/ door installed crossbar mounting height 36-1/2" from bottom of door.  
Standard door height is 7'

12" Extension Rod- JA30-1347

Part #	Handing	628	313
JA31-1085-4-7	Non- Handed	\$366.68	\$366.68



1095 Rim Exit device

For aluminum, or hollow metal doors device is handed, not reversible accepts standard rim cylinder

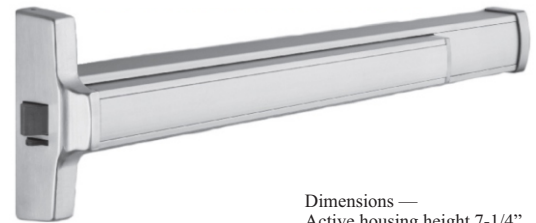
Field Selectable Operation Functions:

- Standard (key removed in unlocked position)
- Optional night latch function
- Optional (key removed in locked position only)

Part #	Handing	628, 313
JA31-1095-R-C-4	Right Hand Reverse	\$369.05
JA31-1095-L-C-4	Left Hand Reverse	

**20 Series** Exit Device

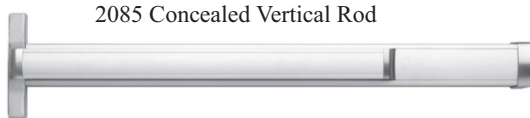
Jackson's 20 Series Exit Device is reliable, durable and ruggedly handsome. available in both a rim and concealed vertical rod device, it is built to withstand the rigors of today's world and provide years of smooth, reliable operation. Each part is manufactured from the highest quality materials which are hand fitted and adjusted for a smooth, whisper quiet operation. This attention to detail makes the Jackson 20 series exit device one of the most reliable, longest lasting devices available today.



- Available for use with standard 1-3/4" (44.5 MM)
- Concealed vertical rod models use No. 30-821J Cylinder mounting pad for use with standard mortise cylinder for keyed entry.
- Concealed easy to use dogging system.
- "Soft Touch" smooth action push pad.

- Durable external and internal components for long lasting, dependable service.
- Quick and simple installation.

Dimensions —  
Active housing height 7-1/4"  
Active housing width 1-1/4"  
Base extrusion height 2-7/8"  
Base extrusion width 1-3/4"  
Base extrusion length Specify  
Touch pad Length 23-1/2"  
Overall Projection 3"

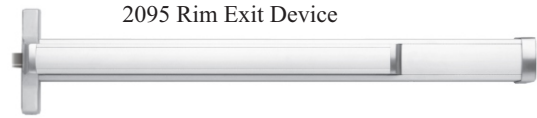


2085 Concealed Vertical Rod

1-3/4" Narrow, Medium, & Wide Stile Aluminum Doors independent top and bottom bolt action 1/2" bolt throw mounting height 38" from bottom of door

628, or 313

Part #	Handing	3'	4'
JA31-2085-R-C	Right Hand Reverse	\$780.00	\$917.00
JA31-2085-L-C	Left Hand Reverse	\$780.00	\$917.00



2095 Rim Exit Device

For aluminum, or hollow metal doors. Accepts standard rim cylinder 3/4" throw deadlocking latch bolt

628, or 313

Part #	Handing	3'	4'
JA31-2095-R-C	Right Hand Reverse	\$839.00	\$866.00
JA31-2095-L-C	Left Hand Reverse	\$839.00	\$866.00



**Aluminum Storefront Hinge**

Universal Fit for Both Flush and 1/8" Recessed Doors  
 Use for doors weighing up to 300 Lbs.  
 Instant Adjustments to Fine Tolerances  
 Smooth Bearing Action  
 Self-Lubricating Pin



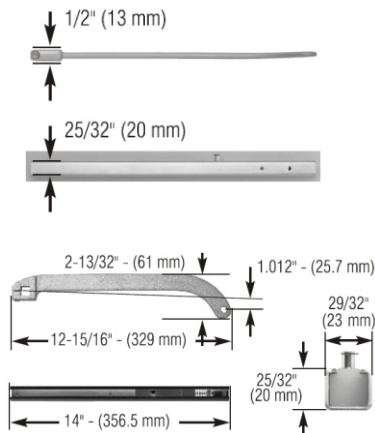
**CUDL1099A CUDL1099DU**  
 ALUM DURO  
 \$148.37 PER PAIR

**Part Packages**

**JA20-900-LC** \$133.15

Application: Mortise Type  
 7/8" (22mm) Deep Rail

Contents:  
 No. 20-942 Offset Arm  
 No. 20-368 Slide Channel Assembly  
 No. 20-951 Closer Mounting Brackets  
 No. 20-385 Channel Mounting Pkg



**JA20-1134-LC** \$133.15

Application: Surface Mounted  
 5/8" (16mm) Deep Rail

Contents:  
 No. 20-1133 Offset Arm  
 No. 20-1129 Slide Channel Assembly  
 No. 20-1375 Closer Mounting Brackets  
 No. 20-1305 Channel Mounting Pkg.

**20-330 Series** Overhead Concealed Closers

Manufactured in the U.S.A. under strict iso 9000 guidelines, Jackson Closers are designed to give long lasting, maintenance free performance. This closer is truly universal. One basic closer mechanism allows for single or double acting, center-hung or offset applications and is non-handed. Suitable for both interior and exterior installations, it provides complete door control in a compact and concealed design when other types of closers are not practical. Available in either Regular Duty, or Heavy Duty fixed sizes, or adjustable spring power, making this the ideal closer for aluminum, wood or hollow metal doors and frames.

- Dual Valve Control - Both closing and latching speeds are independently adjustable.
- Fixed spring sizes - RD = regular duty, HD = heavy duty.
- Adjustable spring power - This allows you to set an opening force which will meet barrier-free requirements for both interior and exterior doors in one closer.
- 90° or 105° swing, hold or non-hold open.
- Backcheck - cushion back-stop provides cushion stop to protect both the closer and opening from damage.



How to Order:  
**JA20-101M-XX** Center Hung  
 ANSI Grade 1  
 Standard 1/2" Spindle

Part #		Swing	Function	Strength	Price
<b>JA20-101M-01</b>	01=	105 Degree	NH (Non-Hold Open)	RD (Regular Duty)	\$270.92
<b>JA20-101M-02</b>	02=	105 Degree	HO (Hold Open)		
<b>JA20-101M-03</b>	03=	90 Degree	NH (Non-Hold Open)		
<b>JA20-101M-04</b>	04=	90 Degree	HO (Hold Open)	HD (Heavy Duty)	\$270.92
<b>JA20-101M-09</b>	09=	105 Degree	NH (Non-Hold Open)		
<b>JA20-101M-10</b>	10=	105 Degree	HO (Hold Open)		
<b>JA20-101M-11</b>	11=	90 Degree	NH (Non-Hold Open)	ADJ (Adjustable)	\$270.92
<b>JA20-101M-12</b>	12=	90 Degree	HO (Hold Open)		
<b>JA20-101M-17</b>	17=	105 Degree	NH (Non-Hold Open)		
<b>JA20-101M-18</b>	18=	105 Degree	HO (Hold Open)	ADJ (Adjustable)	\$270.92
<b>JA20-101M-19</b>	19=	90 Degree	NH (Non-Hold Open)		
<b>JA20-101M-20</b>	20=	90 Degree	HO (Hold Open)		

**JA20-1312-LC** \$133.15

Application: Surface Mounted  
 5/8" (16mm) Deep Rail

Contents:  
 No. 20-1149 Offset Arm  
 No. 20-1129 Slide Channel Assembly  
 No. 20-1178 Closer Mounting Brackets  
 No. 20-1305 Channel Mounting Pkg.

